

V H means Vertical and Horizontal. Yes, this is our latest innovation on camera/light supports. We designed this bracket after gathering feedback from professional photographers who need to go around and take pictures with one portable electronic flash unit and cannot get a good lighting result.

V H Flip Bracket

holds a rectangle 35mm or medium format camera with the provision for a portable electronic flash to mount directly above the camera lens. The benefit of this arrangement is getting a shadow as light as possible behind the person or subject. This cannot be done if the flash is placed next to camera as you change from horizontal to vertical format, because the position of the flash has to shift as well. Our V H Flip Bracket allows you to flip the camera from V to H and back and forth without changing the flash position. As the flash is separated considerably from the lens, you got less chance to get red eyes on photo.

V H Flip bracket has a special designed platform that is neatly folded when not in use, hence it does not take up much room in your camera bag. It does not require lubricant on the moving part, so no dust or sand to stick on. A sliding quick camera mount also allows the camera to be fastened on a different position and keeps the lens directly below the flash without adapters and also allows the camera to be separated from the bracket easily. Additional features are a large rubber hand grip, 2 section telescopic arm which extends to 28"(this is useful if you want to use small umbrella or softbox to mount on it).

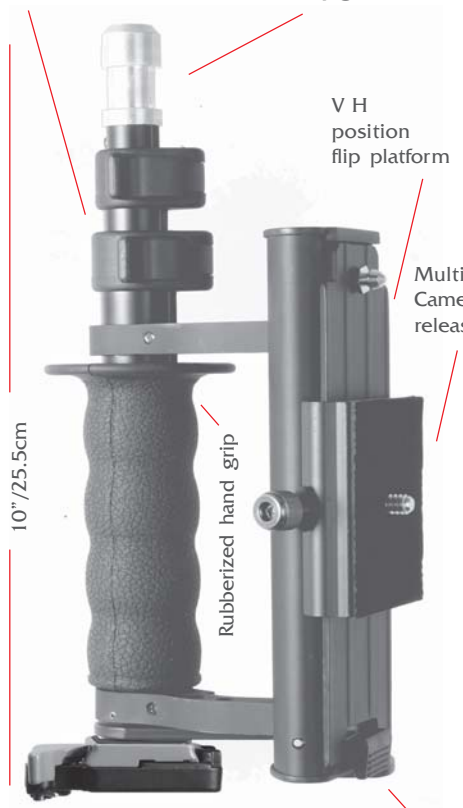
The flash cross bar on top of the VH bracket has one fixed flash shoe for flash sensors, and a detachable flash shoe with 1/4" tripod screw to cover a different way to mount the flash.

The movement on horizontal or vertical rotation is very smooth and does not require to lock or unlock because you most likely do not have the time to do that when you are taking fast action pictures.



2 section telescopic pole, Max. ext. 28"

5/8" spigot



Optional quick release tripod mt.



BK-3, Basic unit, comes with 1 quick release plate for camera. The plate has 1/4" screw to attach to camera. It slides on the platform to fit different sizes of cameras. The 2 section telescopic arm extends to 28"/71cm for high flash position in case you want to use the long lens without getting red eyes in your picture. Comes with tote bag.

BK-3



BK-4, Standard unit, features are same as BK-3, but it has an additional cross bar for a flash unit to be positioned directly above the camera lens. The cross bar is tilted slightly downward, and it has a fix flash shoe for automatic sensor and a detachable shoe for a flash unit. The shoe is fastened by a 1/4" knob screw. Cross-bar is removable for storage. Comes with tote bag.

BK-4



BK-5, Deluxe unit, has all the features BK-3 and BK-4 have, but the crossbar is spring loaded, it has ratchet mechanism, and it is lockable, it also has a tilting function and accepts a photo umbrella. Comes with tote bag.

BK-5



Use our add-on shutter release for digital SLR and a TTL flash hot-shoe extension cord to have a perfect combination of best lighting on the move. You can use the left index finger to trigger the camera and right hand to zoom without shutting the finger on camera button and lens. Plus, you can flip camera vertical and horizontal position, keeping the TTL flash always on top of lens.

10-161

Quick mt. Plate for BK-3,4,5.



With our Magic square softbox, not included.

TTL Digital SLR hot-shoe flash extension cord (available for Canon, Nikon, Pentax, Sony and Olympus)



Add-on DSLR shutter release