

TRISTAR

Econ/Econ-Pro Lampheads


we offer complete line of economical lighting reflectors for digital imaging people that do not want to spend a lot but want to get professional result. We have cool and hot constant lampheads, reflectors of different diameter, plus matching junior light stand for them.

Q-15 Satin finish, silver **Q-21**
 6"/15 cm 8"/21 cm




optional:
 Q-15BD, 2 leaf bardoor
 Q-15CS, Clear Shield

Q-21BD **Q-21D**
 fabric diffuser



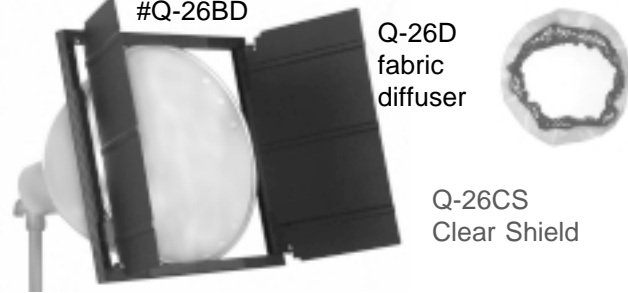
Q-21CS
 Clear Shield

Q-26 **#Q-30**
 10"/26 cm 12"/30 cm



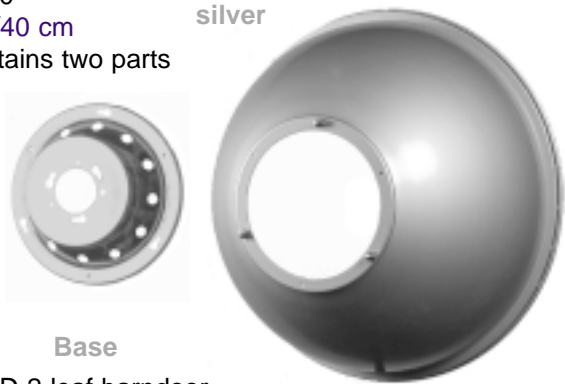
Satin finish, silver
 Designed to use with 75W Fluorescent Bulb

#Q-26BD **Q-26D**
 fabric diffuser



Q-26CS
 Clear Shield

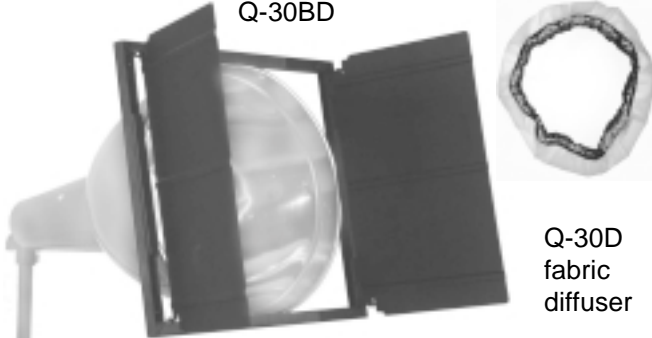
Q-40 Satin finish, silver Reflector
 16"/40 cm
 contains two parts



Base

Q-40BD 2 leaf bardoor
 Q-40CS Clear Shield

Q-30BD **Q-30D**
 fabric diffuser



Q-30D
 fabric diffuser

10-500 Lamp socket
 North America version



10-600 All metal
 Hi-temp.
 lamp socket,
 10A in-line
 switch.



Fabric diffuser



FL-360K(no stand)



Includes 3 bulbs, 1 diffuser

Econ/Econ-Pro Lampheads

TRISTAR

We offer 1,2,3 light kits. They all go into one carton carry case, size 11.5x14x16.5"/29.5x35.5x67.5cm. Bulbs, stands, lampsockets and reflectors are all included in the case. FL-360K1,2 has larger carry case. There are two versions of socket, North America UL/CSA standard and European VDE/CE standard.

Q-21K2



Q-21K2 contains 2, 7ft/210cm black 4 section aluminum stands, 2, **10-500** lampsockets, 2, 8"/21cm aluminum reflectors. 2, JDD250FR bulbs. All fit in carry case. Weight: 12lb/5.5kg.

Q-26K3 contains 3, 7ft/210cm black 4 section aluminum stands, 3, **10-500** lampsockets, 3, 10"/26cm aluminum reflectors. 3, JDD250FR bulbs. All fit in carry case. Weight: 10lb/4.5kg.

FL-360K contains 3, SB-26 fluorescent bulbs, 1, sockets assembly, 1, bayonet mount 16"/40cm reflector, 1, fabric diffuser, in one carton.

Q-15, Q-21, Q-26, Q-30, Q-40 are reflectors with lamp sockets only, each in individual box, Bulb is not included.

Q-26K3



All optional 2 leaf barndoors have built-in magnetic filter holders (color filter is not included)

10-500 Lamp socket, heart of system. There are two versions, European and North American. It has focus sliding rod for different reflectors, umbrella receptacle, in-line switch. Fits on 3/8" or 5/8" stand spigot. 12ft 2 or 3 wire power cable.



Q-15
15cm reflector



Q-15BD
Barndoc
w/filter
holder



FL-360K1
40cm reflector,
w/1, 2m stand,
3, SB-26 bulbs
and 1,
diffusers
in one
carry
case

Stand:
10-1003J



FL-360K2
w/2, 2m
stands
3, SB-26 bulbs
and 2 diffusers
in 1 carry
case

10-600 All metal lamp holder
for high temperature
with silicone 3 wire
cable, 10A switch



Econ-Pro
series

NEW !!!
2006

European plugs



North America
plugs



TRISTAR Photo Industrial Co. Email triphoto@biznetvigator.net Website: www.tristar-photo.com

11 Lung Tak St. 24/F. #7 Tsuen Wan Hongkong SAR Ph. +852 2408 6079 Fax +852 2409 9408